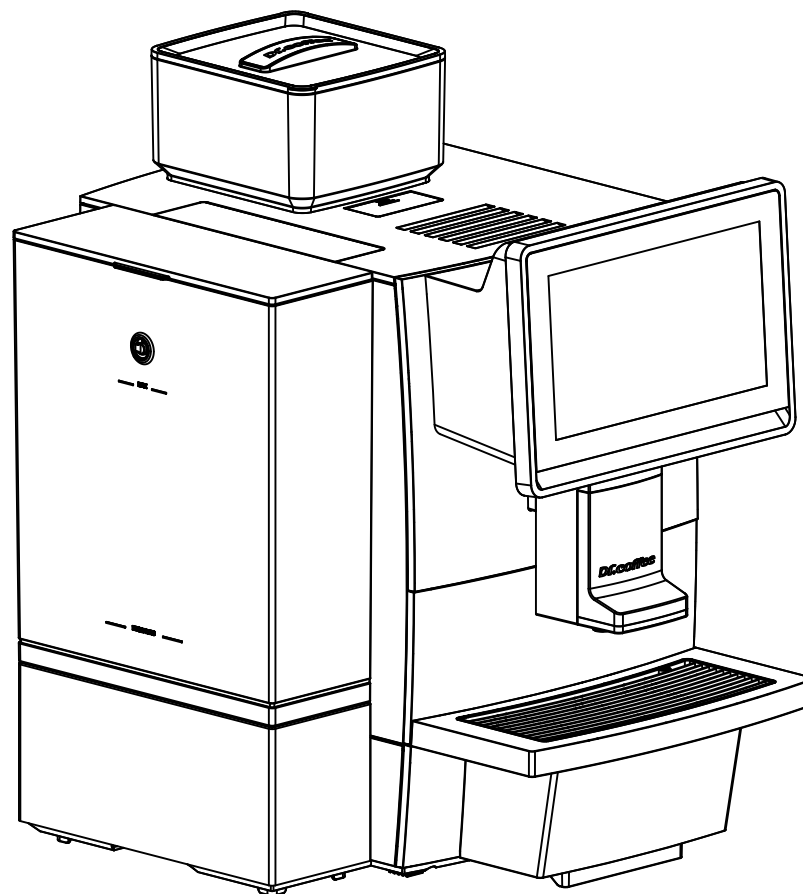


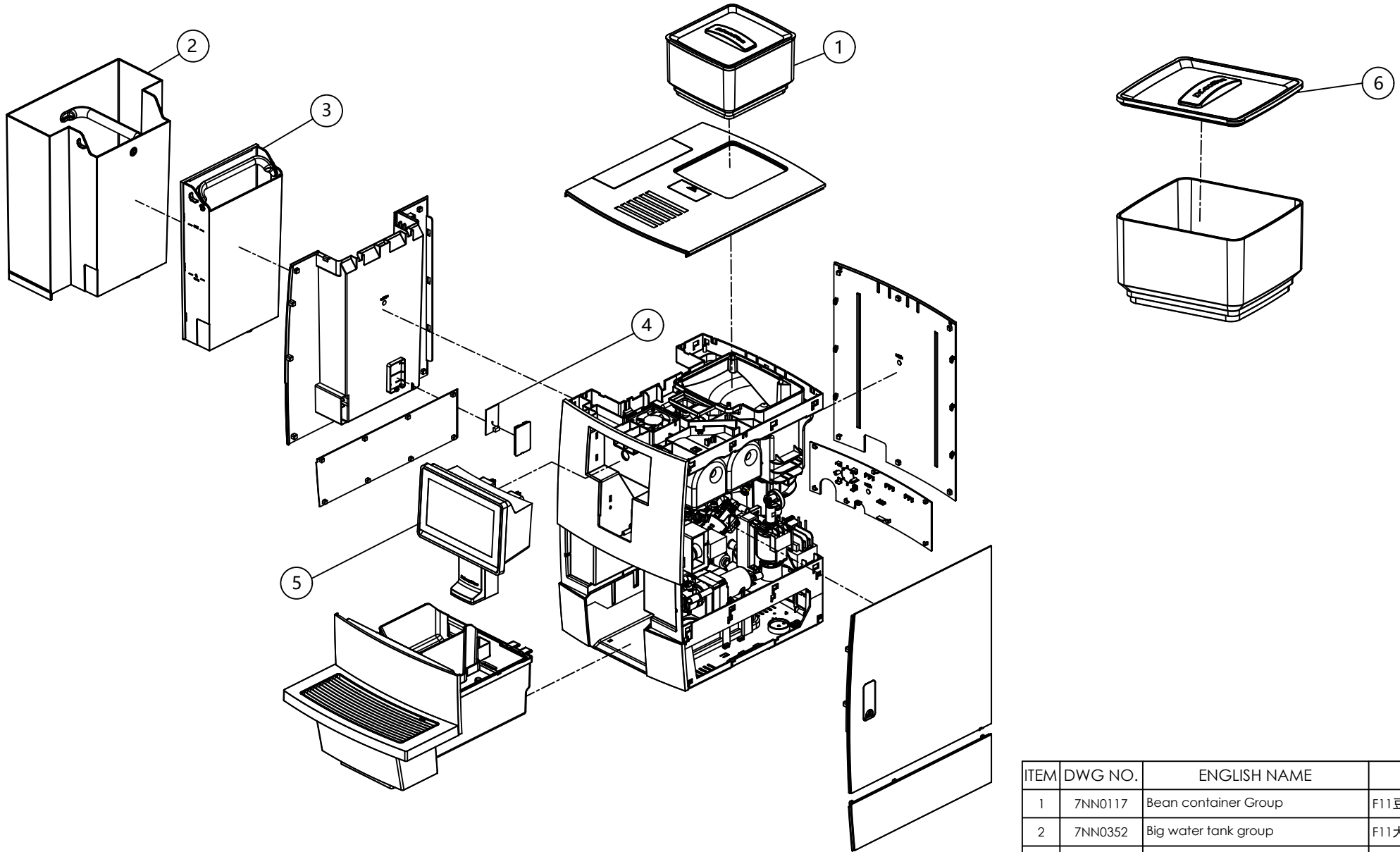
Coffee break Explosive view

ISSUE: 02

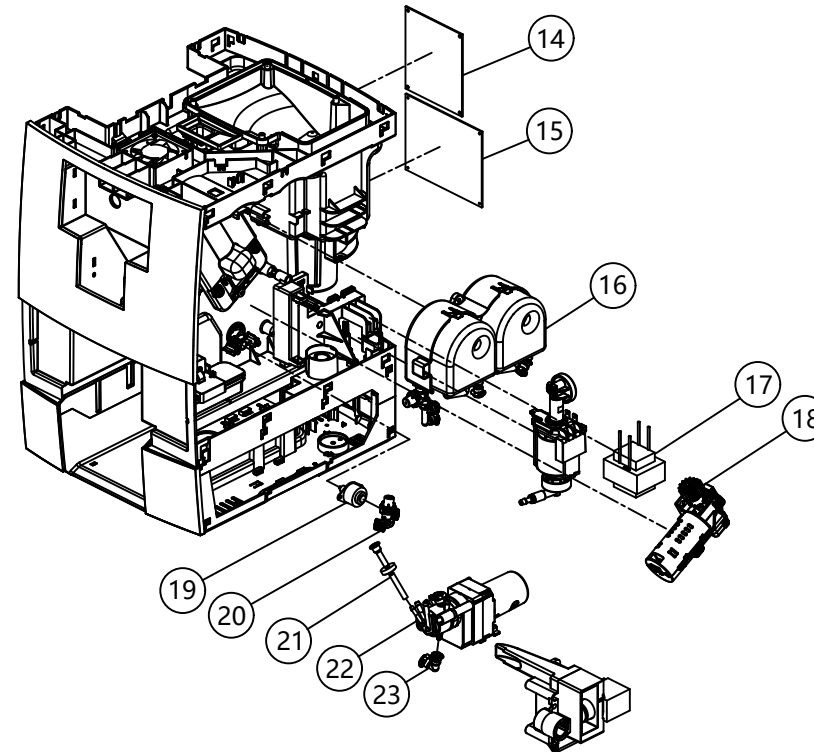
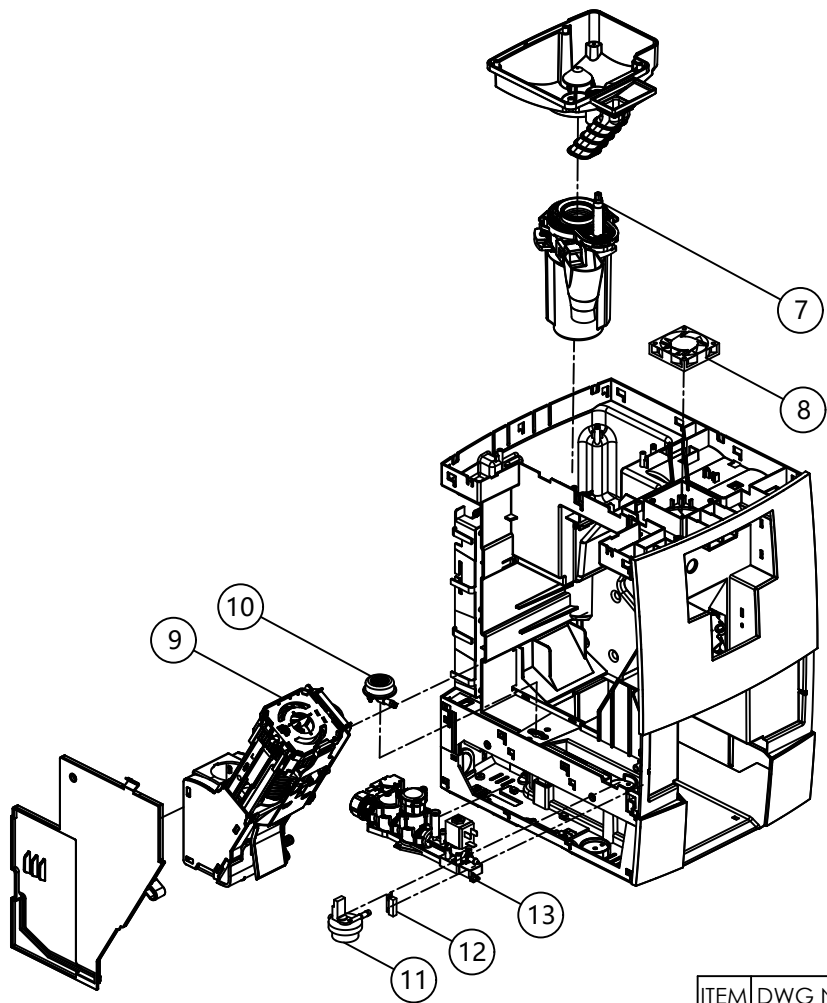


Content

Appearance group.....	.01
Body holder.....	.02
Water tank group.....	.03
Front pannel assembly.....	.04
Drip tray group.....	.05
Brew group.....	.06
Thermoblock assembly.....	.07
Pump group.....	.08
Ginder group.....	.09
Water inlet valve group.....	.10
Pinch valve group.....	.11

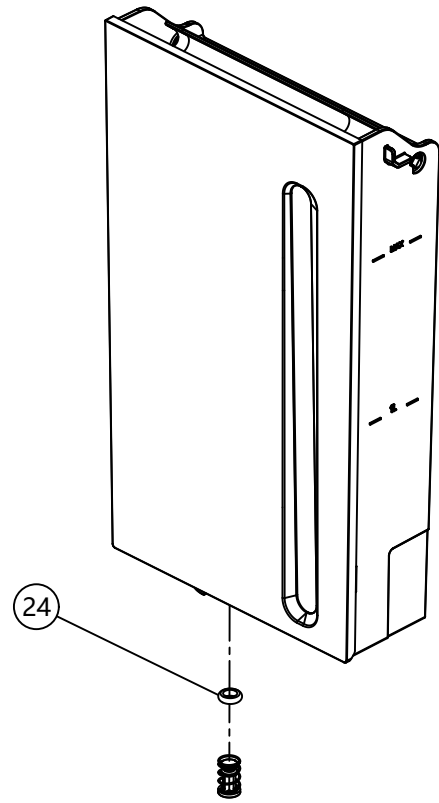
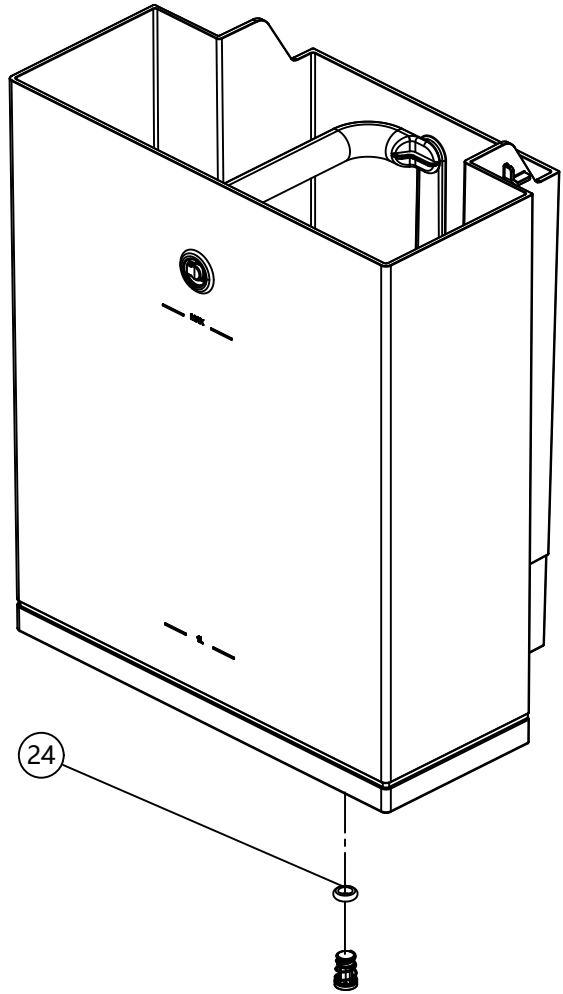


ITEM	DWG NO.	ENGLISH NAME	名称
1	7NN0117	Bean container Group	F11豆盒组
2	7NN0352	Big water tank group	F11大水箱组
3	7NN0017	Small water tank group	F11小水箱组
4	8D10027	Water level detection PCBA	水位检测PCB
5	7NN0355	Front pannel assembly	Coffee break前面板组
6	7NN0121	Bean container Group	F11豆盒盖组

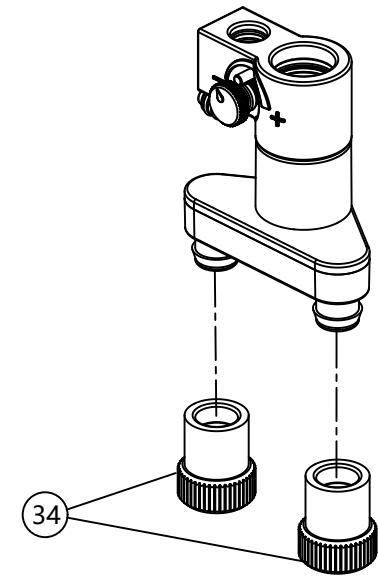
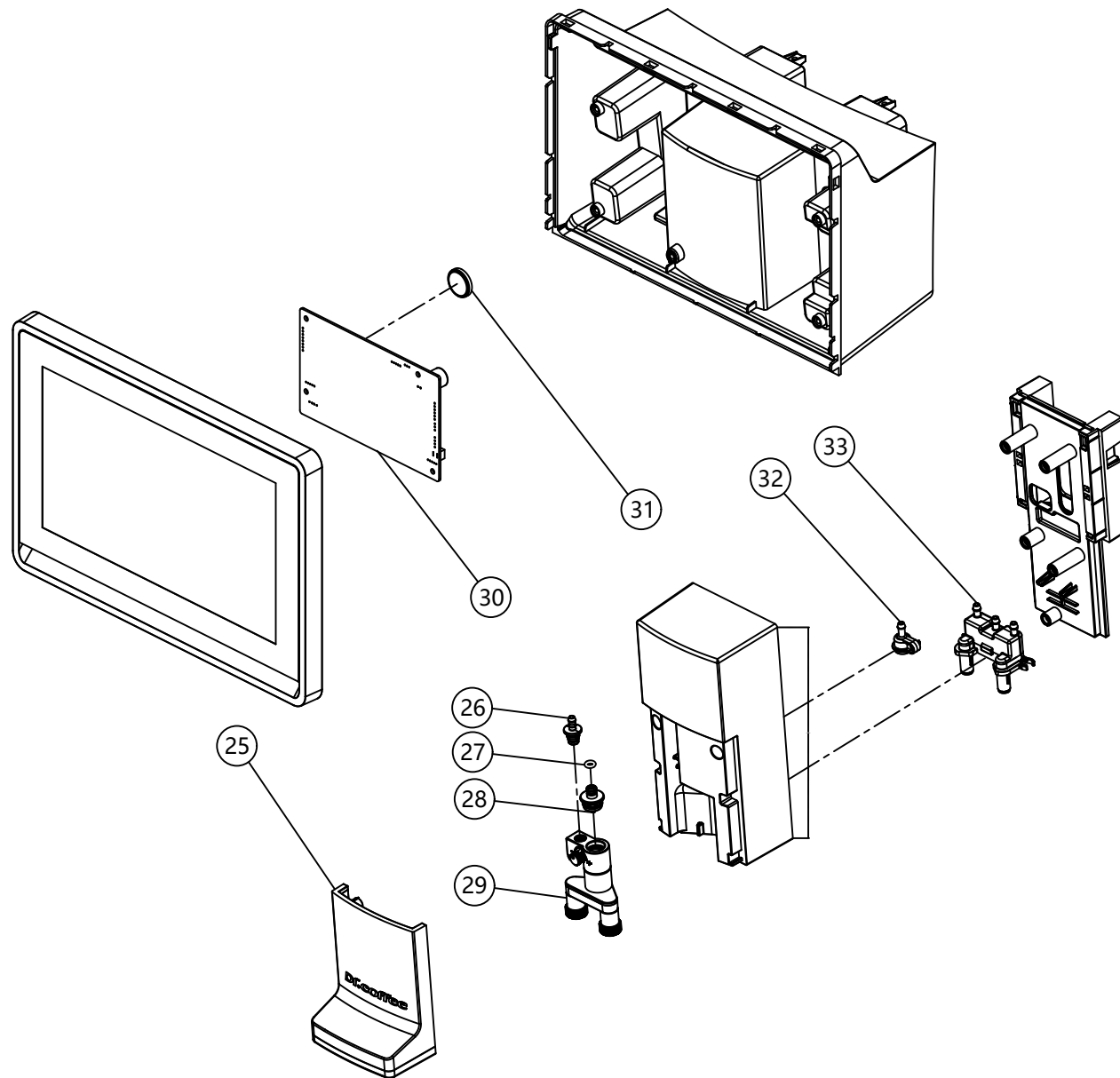


ITEM	DWG NO.	ENGLISH NAME	名称
7	7NN0010	Ginder group	F11磨豆组
8	8D30130	Fan	风扇
9	7NN0008	Brew group	F11冲泡器组
10	7NN0014	Water inlet valve group	F11导水座组
11	8D30017	Flowmeter270° (1.2mm)	流量计270度 (1.2mm)
12	8D30013	Reed switch	干簧管
13	7NN0058	Water inlet assembly	F11自动进水阀组

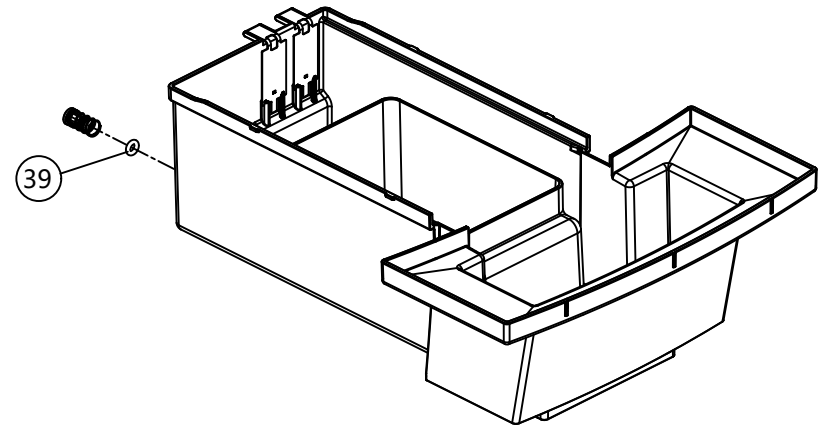
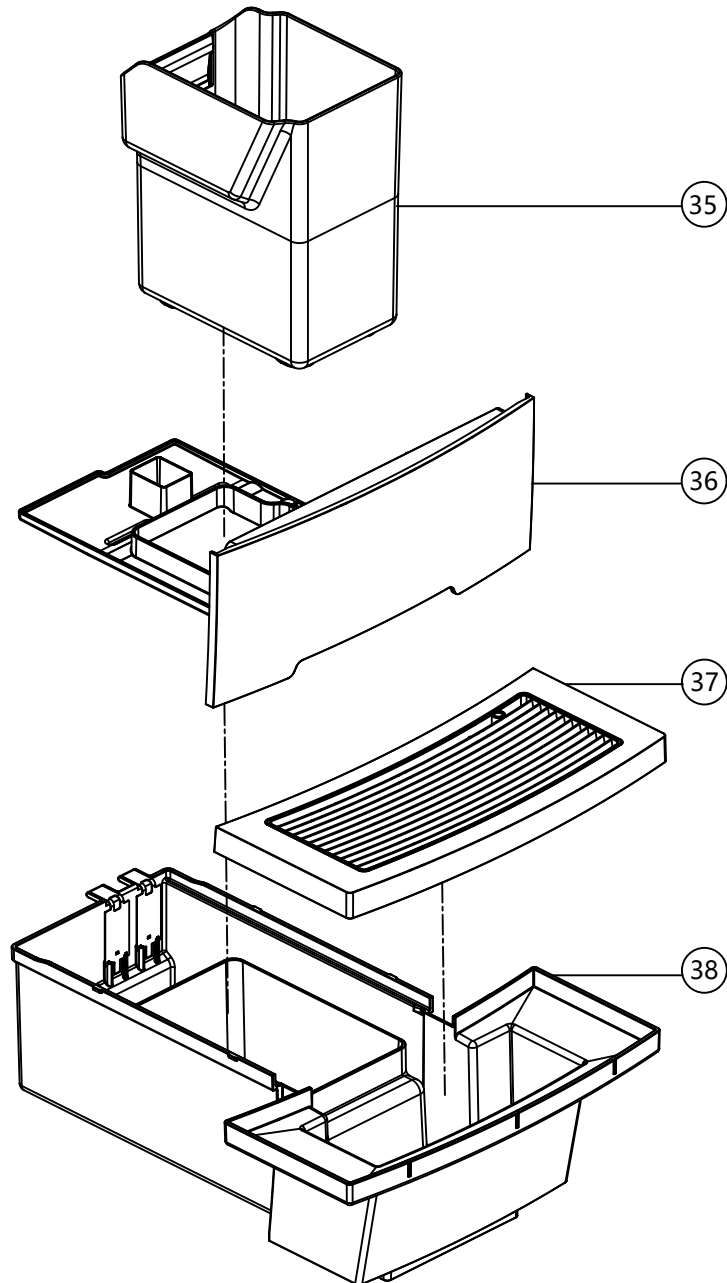
ITEM	DWG NO.	ENGLISH NAME	名称
14	8D10003	Control PCBA	F11主控板
15	8D10004R4	Power PCBA	F11电源板
16	7NN0356	Thermoblock assembly	Coffee break电热盘组
17	8D30016	Transformer	F11变压器
18	7NN0115	Brew motor group	F11传动组
19	8D30014	Stepmotor	泄压步进电机
20	7NN0009	Dispenser valve 3W	蓄压阀组
21	7NN0202	Air inlet valve assembly	鸭嘴阀组
22	7NN0011	Switch valve assembly	F11分向阀组
23	8S10136	Fitting	分向阀转接头



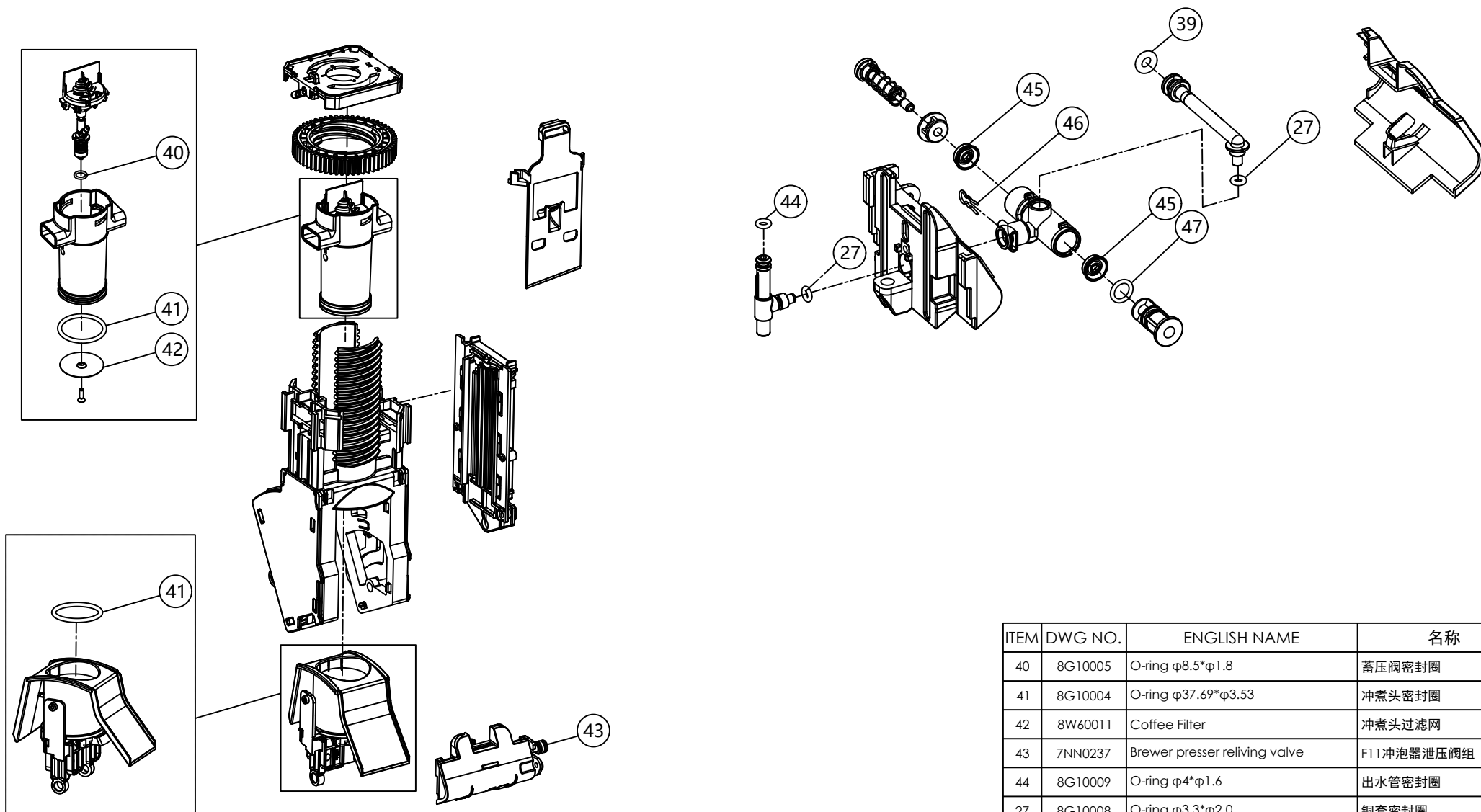
ITEM	DWG NO.	ENGLISH NAME	名称
24	8G10021	O-ring $\phi 5.0 \times \phi 3.75$	大小水箱止逆阀密封圈



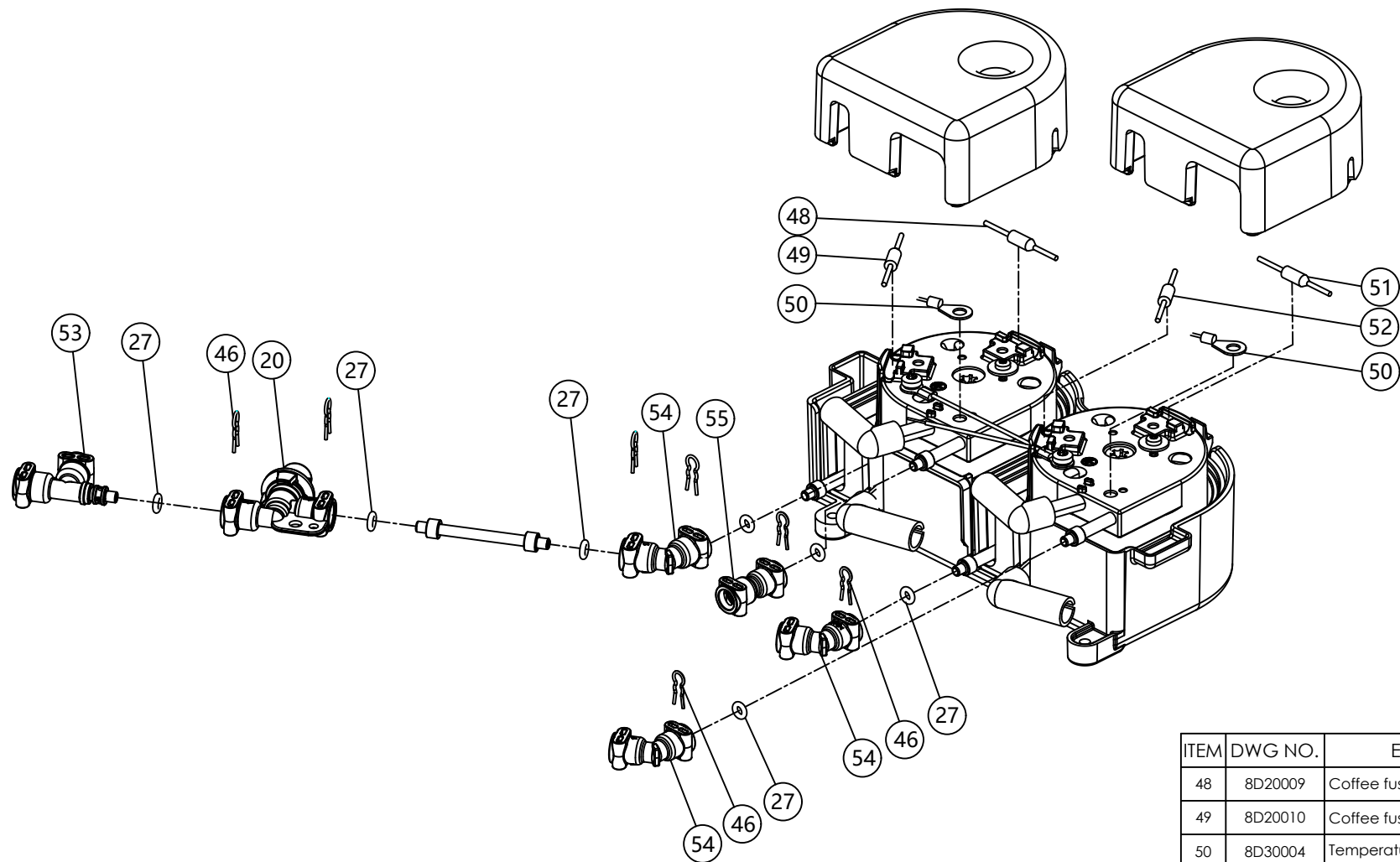
ITEM	DWG NO.	ENGLISH NAME	名称
25	8S10499	Coffee outlet cover group	M12咖啡出口盖
26	7NN0339	Milk pipe group	M12内部牛奶管组
27	8G10008	O-ring $\phi 3.3 * \phi 2.0$	铜套密封圈
28	8S10491	Milk bubble nozzle	蒸汽喷嘴
29	7NN0288	Foamer	M12奶沫器组
30	8D10030	HMI PCBA	HMI板
31	8D30064	Battery (CR-2032/5BC)	纽扣电池
32	8S10489	Steamer fitting	M12蒸汽转接座
33	8S10333	Coffee outlet	咖啡出口
34	8G20035	Foam applicator	奶沫器缓冲嘴



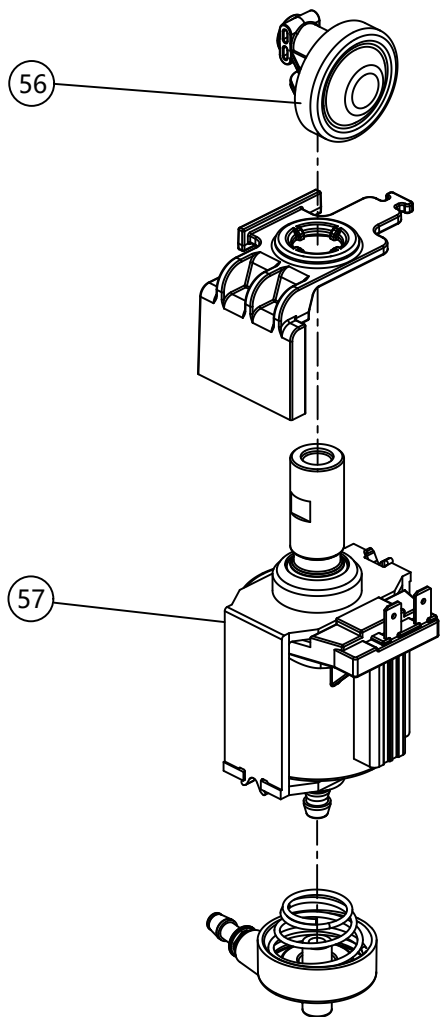
ITEM	DWG NO.	ENGLISH NAME	名称
35	7NN0122	Coffee grounds container	F11 废渣盒
36	7NN0540	Coffee grounds container support(silver)	F11 废渣盒支撑板 (银色)
	7NN0547	Coffee grounds container support(black)	F11 废渣盒支撑板 (黑色)
	7NN0548	Coffee grounds container support(white)	F11 废渣盒支撑板 (白色)
	7NN0549	Coffee grounds container support(wine red)	F11 废渣盒支撑板 (酒红色)
37	7NN0124	Drip tray grill assembly	F11 蓄水盘盖组
38	7NN0261	Drip tray	F11 蓄水盘
39	8G10001	O-ring $\phi 5.0 \times \phi 3.0$	水箱止逆阀密封圈



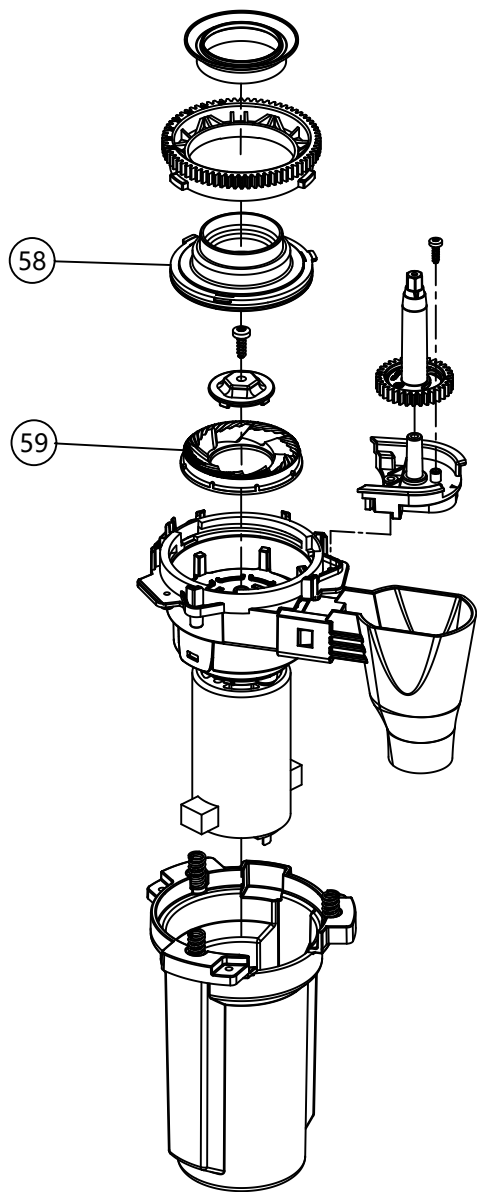
ITEM	DWG NO.	ENGLISH NAME	名称
40	8G10005	O-ring $\phi 8.5 \times \phi 1.8$	蓄压阀密封圈
41	8G10004	O-ring $\phi 37.69 \times \phi 3.53$	冲煮头密封圈
42	8W60011	Coffee Filter	冲煮头过滤网
43	7NN0237	Brewer presser relieving valve	F11冲泡器泄压阀组
44	8G10009	O-ring $\phi 4 \times \phi 1.6$	出水管密封圈
27	8G10008	O-ring $\phi 3.3 \times \phi 2.0$	铜套密封圈
45	8G20007	Y-ring $\phi 12.20 \times \phi 3.65$	泄压阀Y型密封圈
46	8W50023	Spring clip	通用弹簧夹
47	8G10007	O-ring $\phi 8 \times \phi 1.8$	泄水管密封圈
39	8G10001	O-ring $\phi 5.0 \times \phi 3.0$	水箱止逆阀密封圈



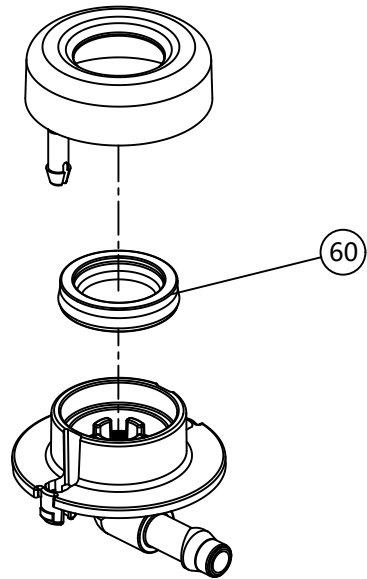
ITEM	DWG NO.	ENGLISH NAME	名称
48	8D20009	Coffee fused-cord-L	咖啡电热盘火线
49	8D20010	Coffee fused-cord-N	咖啡电热盘零线
50	8D30004	Temperature Sensor	电热盘NTC
51	8D20011	Steam fused-cord-L	蒸汽电热盘火线
52	8D20012	Steam fused-cord-N	蒸汽电热盘零线
53	8S10144	Fitting	三通转接头
27	8G10008	O-ring $\phi 3.3 \times \phi 2.0$	铜套密封圈
46	8W50023	Spring clip	通用弹簧夹
20	7NN0009	Dispenser valve 3W	蓄压阀组
54	8S10428	Fitting	120度两通接头
55	8S10058	Fitting	直通接头



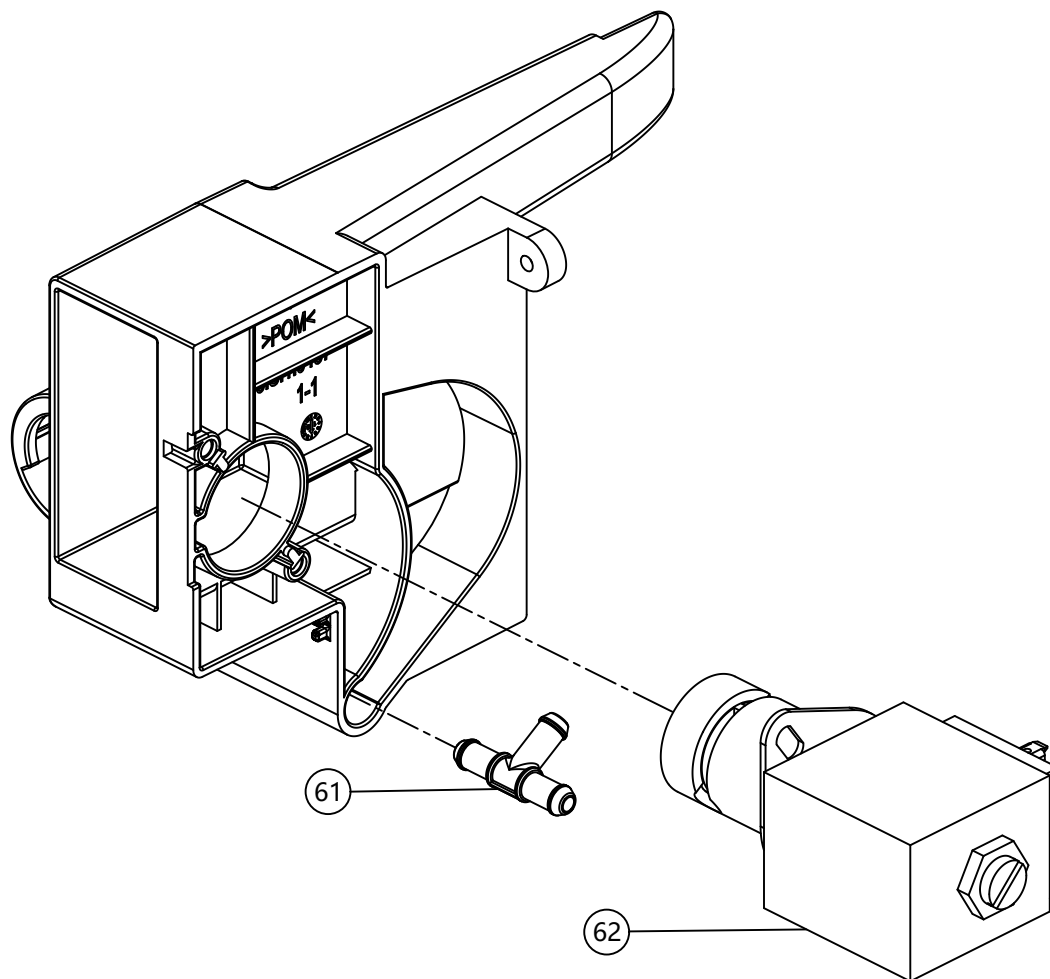
ITEM	DWG NO.	ENGLISH NAME	名称
56	7NN0012	Membrane controller group	稳压阀组
57	8D30051	Pump (220-240V 50Hz)	水泵 (220-240V 50Hz)
	8D30052	Pump (220-240V 60Hz)	水泵 (220-240V 60Hz)



ITEM	DWG NO.	ENGLISH NAME	名称
58	7NN0119	Upper grinder burr assembly	上刀盘组
59	8T10003	Grinder burr	磨豆刀



ITEM	DWG NO.	ENGLISH NAME	名称
60	8G20014	Y-ring $\phi 22.67 * \phi 13.90$	导水座Y型密封圈



ITEM	DWG NO.	ENGLISH NAME	名称
61	8S10318	3 Way hose conector	三通软管接头6mm
62	8D30085V1	Pinch valve	夹管阀